

Thursday, September 30th ▾

A

Aaron 4:45 PM

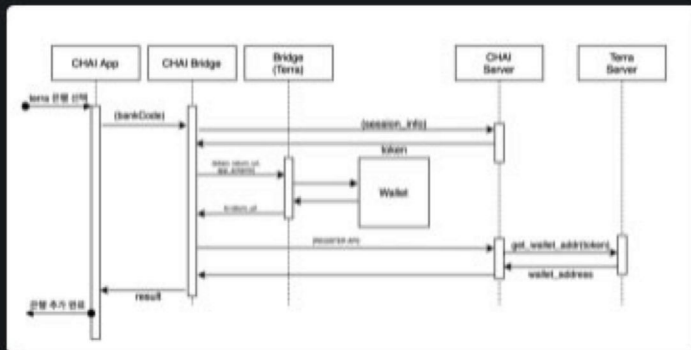
this is confidential but I may be going into a more crypto route at Chai with the bolt. currently, how integrated is Terra with Chai? in my understanding, the payments are sent and managed through the centralized database though the transactions are mirrored separately on Terra.

Ji'Hoon

'Ji'Hoon 4:50 PM

this is how to add terra wallet to chai.
this feature is disabled for now though.

Screen Shot 2021-09-13 at 11.48.02 AM.png ▾



A

Aaron 4:52 PM

i see. how come it's disabled? when funds are sent to the merchants through 간편결제, are actual tokens sent from the chai app wallet or is it all managed on the database and that use for settlement?

Ji'Hoon

'Ji'Hoon 4:53 PM

users with terra wallet connected can still purchase with terra wallet.

A

Aaron 4:58 PM

for the users with the terra wallet connected, if they were to have the KRT tokens on the chai app, when they send it to TMON for a transactions, are they sending the actual crypto tokens to TMON's wallet? If so, how does TMON get the actual funds settled? I'm wondering how much actual tech there is that can be leveraged for bolts.

Yesterday ▾

A

Aaron 1:23 PM

Was the KRT being sent through Solana? It's my understanding that transactions were mirrored but not actually sent from a chai app wallet to the merchant wallet directly.

If so, I'm guessing that there's not much we can iterate with for a bolt token and chai app because there's no wallet on the actual app itself.

Ji'Hoon

'Ji'Hoon 3:11 PM

only chai transaction history is mirrored to terra network so there is no wallet or token concept in chai.

A

Aaron 3:24 PM

Terra is basically offering zero value to chai then. Ha.

All the crypto stuff has to be built from scratch if we deal with bolt coins.

PLAINTIFF'S
EXHIBIT

P121

23-cv-1346 (JSR)

